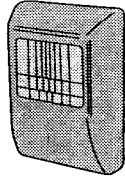


DF-54

MOTION DETECTOR

For Use with DF-16 Security Console

Installation Instructions

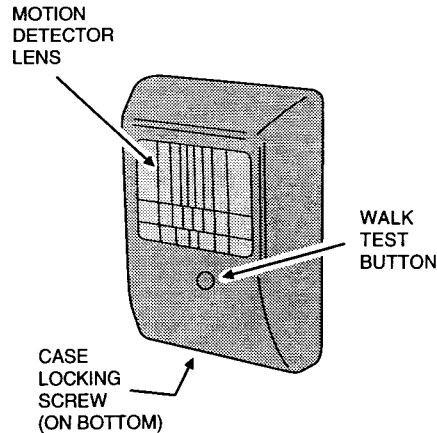


Linear

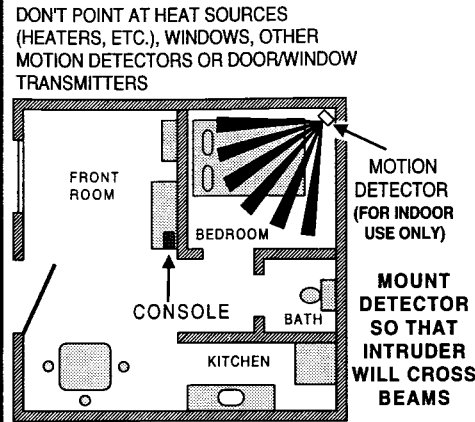
(619) 438-7000 • FAX (619) 438-7043
USA & Canada (800) 421-1587 & (800) 392-0123
Toll Free FAX (800) 468-1340



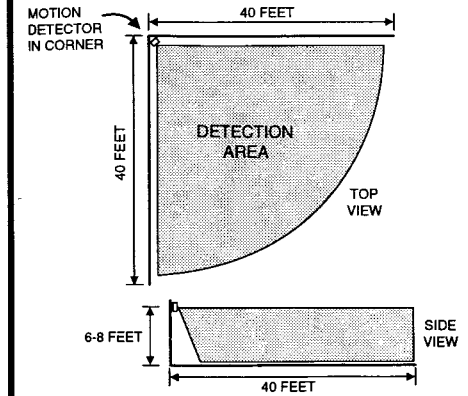
1. MOTION DETECTOR DETAIL



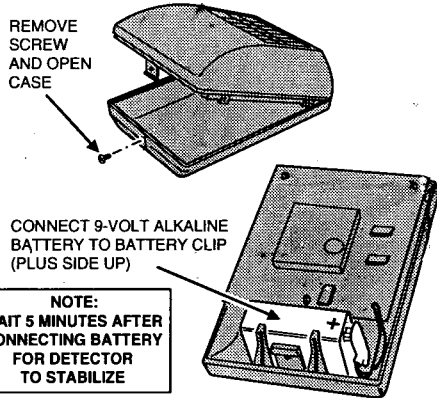
2. TYPICAL INSTALLATION



3. MOTION DETECTION PATTERN

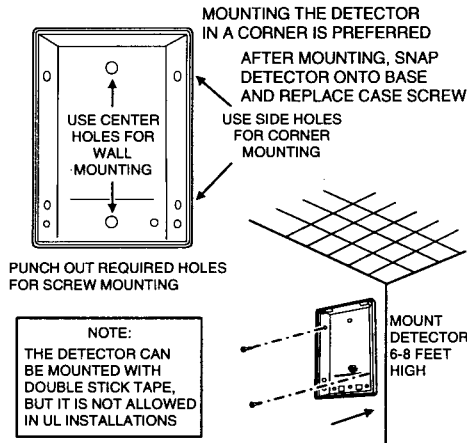


4. CONNECT BATTERY

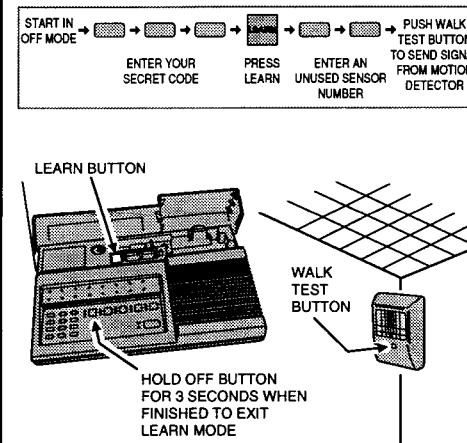


NOTE:
WAIT 5 MINUTES AFTER CONNECTING BATTERY FOR DETECTOR TO STABILIZE

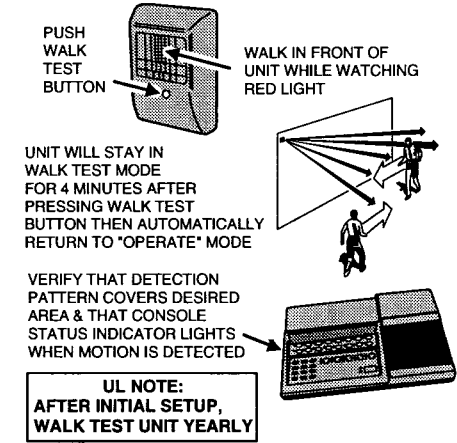
5. MOUNT MOTION DETECTOR BASE



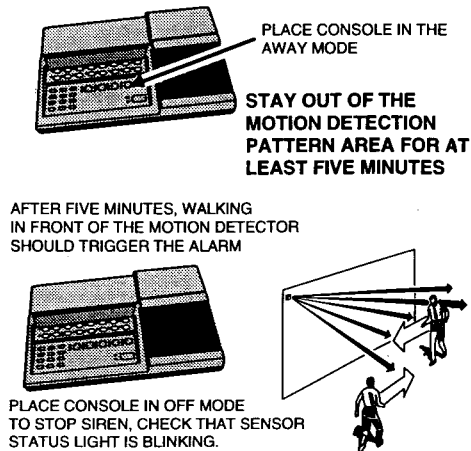
6. PROGRAM DETECTOR INTO CONSOLE



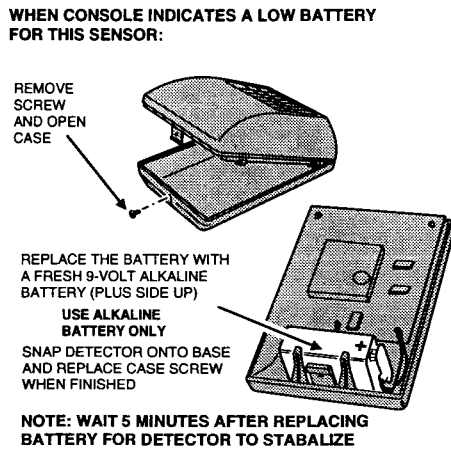
7. WALK TEST MOTION DETECTOR



8. ALARM TEST MOTION DETECTOR



9. REPLACING MOTION DETECTOR BATTERY



10. IMPORTANT DETECTOR INFORMATION

1. The motion detector can only trigger the alarm when the Console is in Away Mode.
2. Except in "Walk Test", the detector must see no motion for five minutes before walking in front of the unit will send an alarm signal.
3. When the Console is in Away Mode, the motion detector will cause an instant alarm unless a delayed perimeter door/window sensor is triggered first.
4. Operating temperature range: +32° to +120° F (0° to +49° C)

LINEAR LIMITED WARRANTY

This Linear product is warranted against defects in material and workmanship for twelve (12) months. The Warranty Expiration Date is labeled on the product. This warranty extends only to wholesale customers who buy direct from Linear or through Linear's normal distribution channels. Linear does not warrant this product to consumers. Consumers should inquire from their selling dealer as to the nature of the dealer's warranty, if any. There are no obligations or liabilities on the part of Linear Corporation for consequential damages arising out of or in connection with use or performance of this product or other indirect damages with respect to loss of property, revenue, or profit, or cost of removal, installation, or reinstallation. All implied warranties, including implied warranties for merchantability and implied warranties for fitness, are void only until Warranty Expiration Date as labeled on the product. This Linear Corporation Warranty is in lieu of all other warranties express or implied.

For warranty service on Linear equipment return product, at sender's expense to: Linear Corp. Repairs Dept., 2580 Pioneer Avenue, Suite C, Vista, CA 92083

Linear radio controls provide a reliable communications link and fill an important need in portable wireless signaling. However, there are some limitations which must be observed.

- * For U.S. installations only: The radios are required to comply with FCC Rules and Regulations as Part 15 devices. As such, they have limited transmitter power and therefore limited range.
- * A receiver cannot respond to more than one transmitted signal at a time and may be blocked by radio signals that occur on or near their operating frequencies, regardless of code settings.
- * Changes or modifications to the device may void FCC compliance.
- * Infrequently used radio links should be tested regularly to protect against undetected interference or fault.

A general knowledge of radio and its vagaries should be gained prior to acting as a wholesale distributor or dealer, and these facts should be communicated to the ultimate users.